



Application

Contec COMS (Contec Oil Mist Separators) for the extraction and filtration of oil mist are used for large-scale compressors, gas and steam turbines, generators and other equipment with oil systems to ensure clean, oil-free exhaust air. 99.98% of solid and liquid particles and aerosols down to 0.1 micron are removed and high-quality oil can be regained. The COMS high-efficiency filter system prevent the emission of oil mist into the atmosphere and therefore guarantee oil-free technically absolutely clean exhaust air. Additionally due to the coalescing effect high-quality lubrication oil including all its additives is regained and recycled into the process.

Material

Housing	<ul style="list-style-type: none"> • Stainless Steel 316/316L, glass bead blasted or painted • Internal parts aluminium, no brass or copper or out of stainless steel
----------------	---

General specification

Housing	Ø 152x 506 mm
Pillar tube	ca. 45 mm
Total height	ca. 551 mm
Inlet flange	R 1" IG
Exhaust	22 mm tube with silencer
Weight	ca. 6 kg
Operation pressure	max. -0,2 bis 0 bar
Operation tem.	max. 60 °C

Filter elements

Glass fibre fleece with inorganic binder

Type	COMS-13-M-50
Quantity	1 off
Separation degree	99,98 % at 0,1 droplet size, Residual oil contect < 0,1 mg/m ³ *

* tested by the Institute of Energy and Environmental Technology e. V. (IUTA) in Duisburg in accordance with ISO 12500-1:2007e

Ejector/Vacuum generator

Max. inlet pressure	1,5 - 3 bar
Max. negative pressure	100 mbar
Compressed air connection	1/4" tube
Max. air consumption	250 NL/min
Flow rate	8 Nm ³ /h at 60 mbar Δp



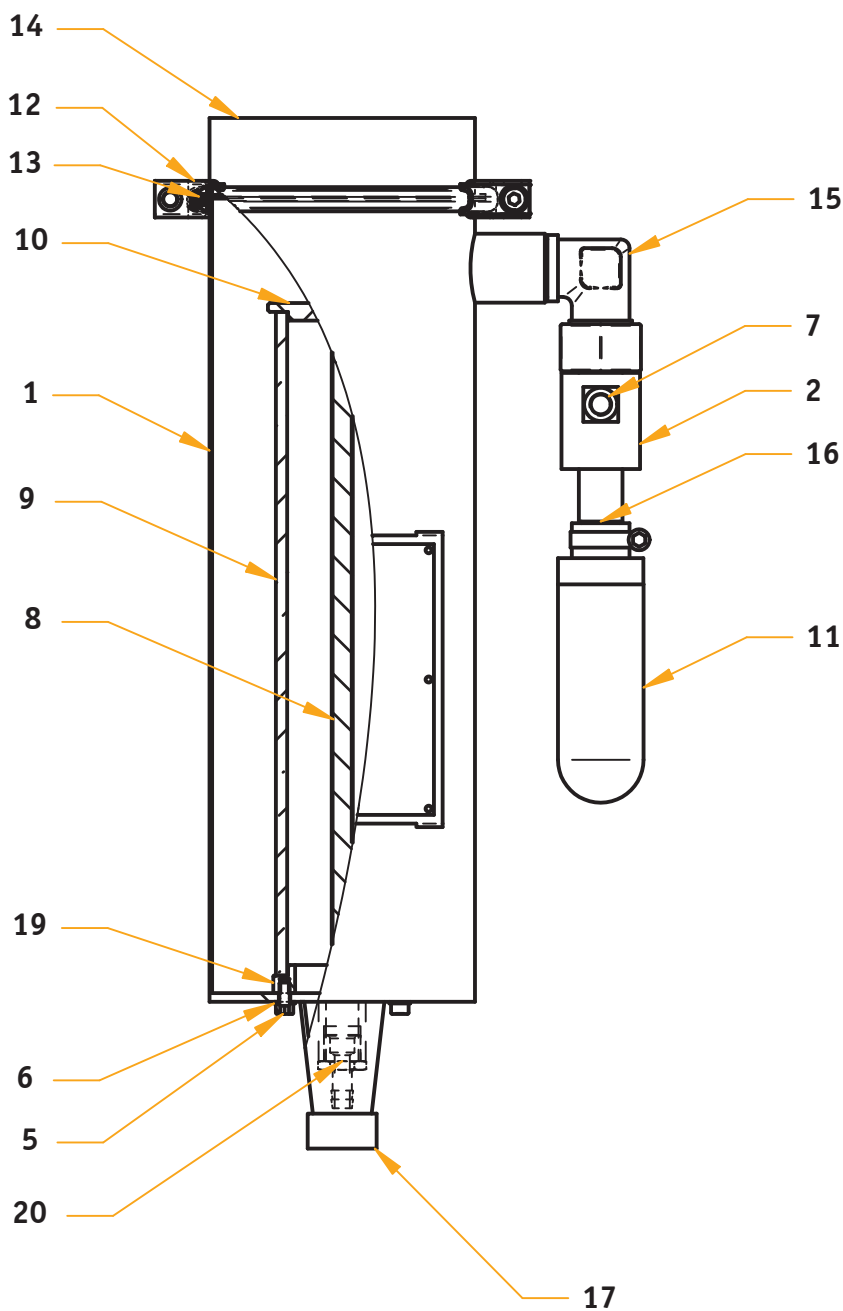
Scope of supply

The CONTEC-Oil Mist Separator are supplied fully assembled and ready for installation including:

- One set of filter elements
- Silencer
- Pressure reducer/Filter regulator
- 2 m transparent oil return hose



Oil Mist Separator type 13/138



The installation

1. Housing
2. Ejector/Vacuum generator
3. ---
4. ---
5. Fastening Screw
6. Seal
7. Connection Compressed Air
8. Tie Rod
9. Filterelement
10. Retaining Cap
11. Silencer
12. Catch
13. O-Ring Seal
14. Housing Cover
15. Socket with 90° Angle
16. Exhaust
17. Pillar Tube
18. ---
19. Filter Element Base
20. Oil Drain Connection

1

2

3

4

A

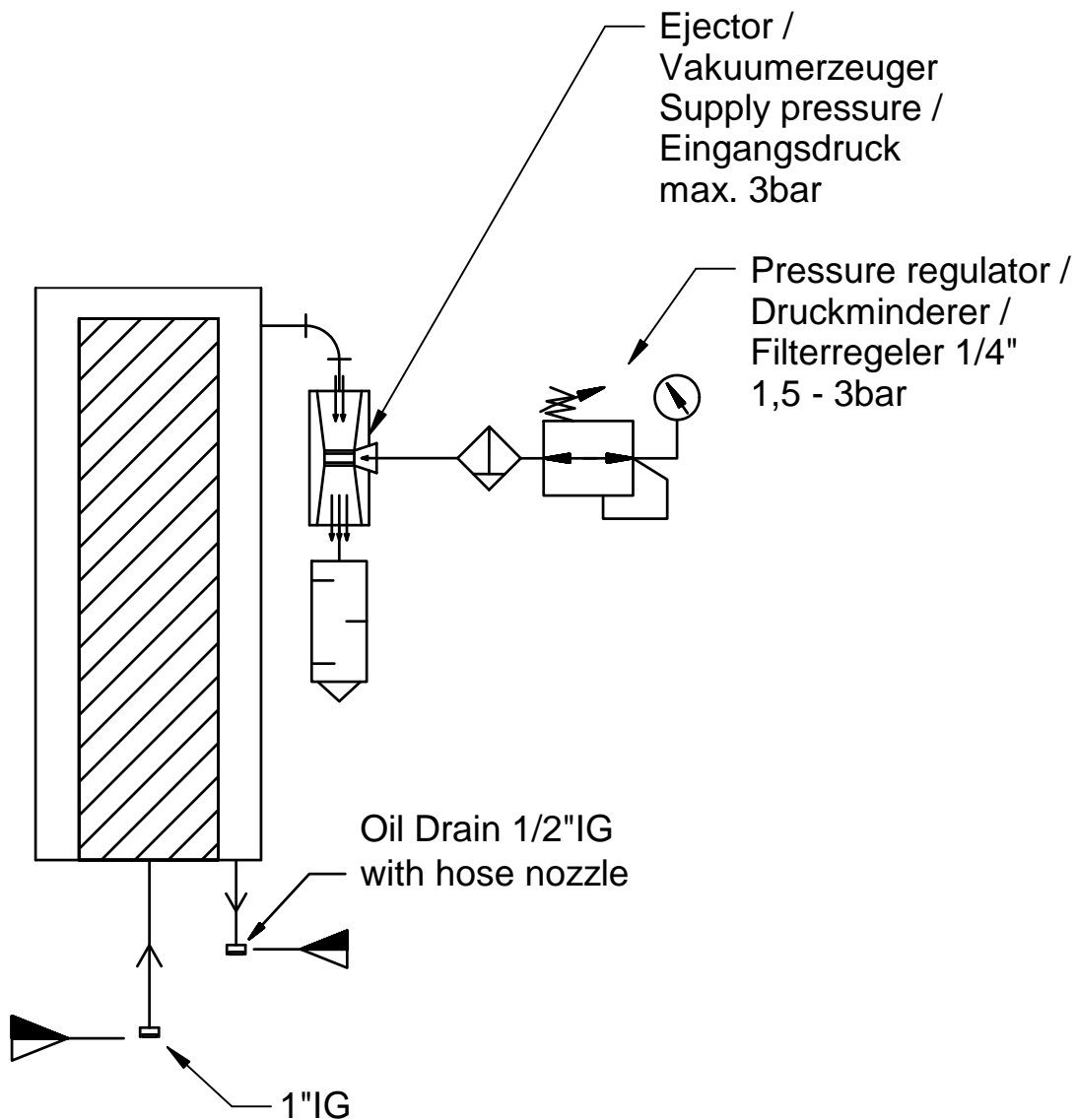
B

C

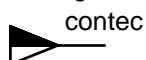
D

E

F



Liefergrenze./delivery limit



Refer to protection notice ISO 16016 /
Schutzvermerk nach ISO 16016 beachten

The reproduction, distribution and utilization of this document as well as the communication of its contents to others without express authorization is prohibited. Offenders will be held liable for the payment of damages. All rights reserved in the event of the grant of a patent, utility model or design.

Weitergabe sowie Vervielfältigung dieses Dokuments, Verwertung und Mitteilung seines Inhalts sind verboten, soweit nicht ausdrücklich gestattet. Zuwiderhandlungen verpflichten zu Schadenersatz. Alle Rechte für den Fall der Patent-, Gebrauchsmuster- oder Designeintragung vorbehalten.

Oil mist separator / Önebelabscheider

Revision	00	01	02	03
Date	26.09.2019			
Designed by	Pützstück			
Checked by				
Approved by				

contec:
clean solutions on demand®

Project code / Projekt Kennwort



Scale / Maßstab : 1:1

Material / Werkstoff :

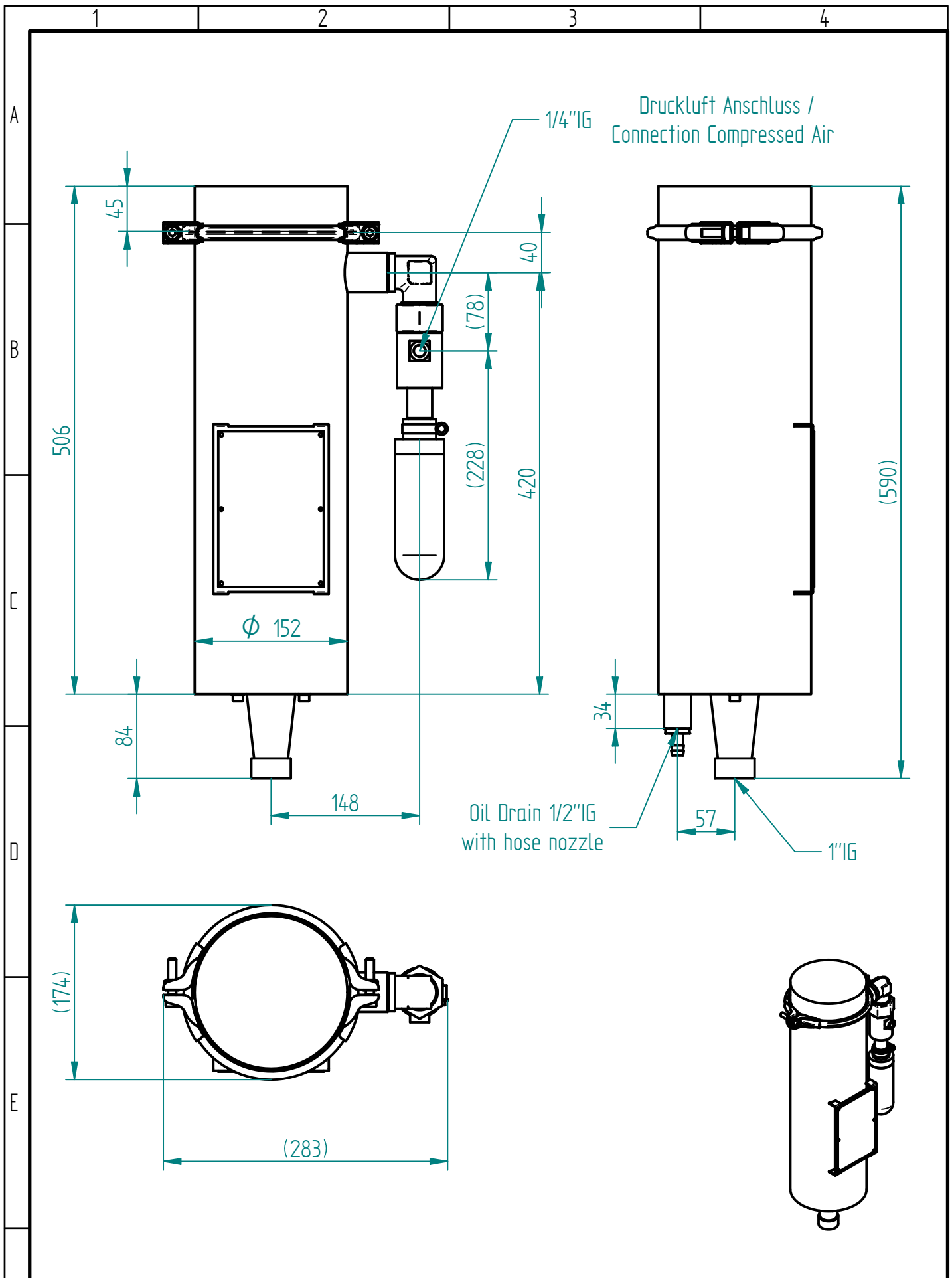
Description / Bezeichnung

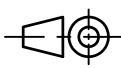

13-138-E00

Drawing/Job no. / Zeichnungs/Auftragsnr.

Sheet /
Blatt: A4

2/5



F	Refer to protection notice ISO 16016 / Schutzvermerk nach ISO 16016 beachten				Oil mist separator / Ölnebelabscheider					Scale / Maßstab : 1:5																									
	The reproduction, distribution and utilization of this document as well as the communication of its contents to others without express authorization is prohibited. Offenders will be held liable for the payment of damages. All rights reserved in the event of the grant of a patent, utility model or design.				<table border="1"> <tr> <td>Revision</td> <td>00</td> <td>01</td> <td>02</td> <td>03</td> </tr> <tr> <td>Date</td> <td>26.09.2019</td> <td></td> <td></td> <td></td> </tr> <tr> <td>Designed by</td> <td>Pützstück</td> <td></td> <td></td> <td></td> </tr> <tr> <td>Checked by</td> <td></td> <td></td> <td></td> <td></td> </tr> <tr> <td>Approved by</td> <td></td> <td></td> <td></td> <td></td> </tr> </table>					Revision	00	01	02	03	Date	26.09.2019				Designed by	Pützstück				Checked by					Approved by					Material / Werkstoff :
	Revision	00	01	02	03																														
	Date	26.09.2019																																	
	Designed by	Pützstück																																	
Checked by																																			
Approved by																																			
Weitergabe sowie Vervielfältigung dieses Dokuments, Verwertung und Mitteilung seines Inhalts sind verboten, soweit nicht ausdrücklich gestattet. Zuwiderhandlungen verpflichten zu Schadenersatz. Alle Rechte für den Fall der Patent-, Gebrauchsmuster- oder Designeintragung vorbehalten.								Description / Bezeichnung																											
				Project code / Projekt Kennwort				13-138-E00																											
				Drawing/Job no. / Zeichnungs/Auftragsnr.				Sheet / Blatt: A4																											
								1/5																											