



## Application

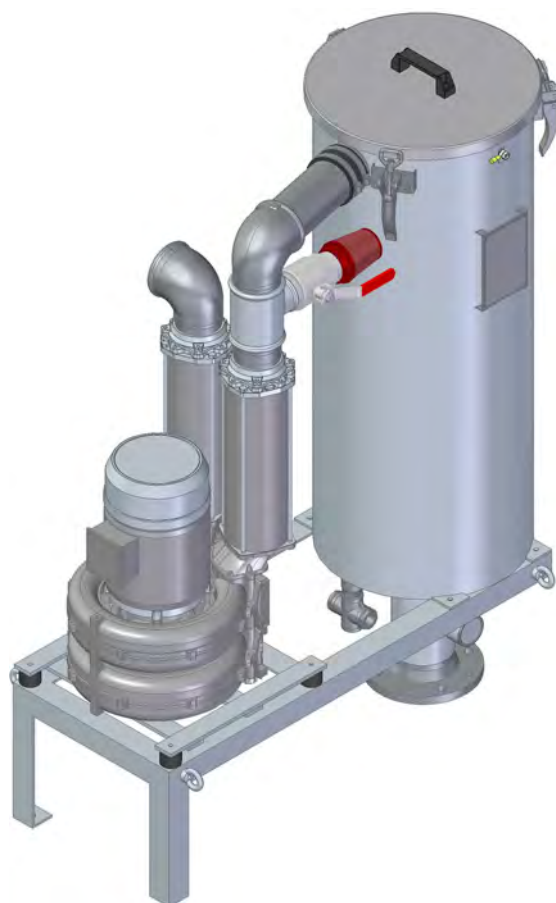
Contec COMS (Contec Oil Mist Separators) for the extraction and filtration of oil mist are used for large-scale compressors, gas and steam turbines, generators and other equipment with oil systems to ensure clean, oil-free exhaust air. 99.98% of solid and liquid particles and aerosols down to 0.1 micron are removed and high-quality oil can be regained. The COMS high-efficiency filter system prevent the emission of oil mist into the atmosphere and therefore guarantee oil-free technically absolutely clean exhaust air. Additionally due to the coalescing effect high-quality lubrication oil including all its additives is regained and recycled into the process.

## Material

<b>Housing</b>	<ul style="list-style-type: none"> <li>• Steel S235JR, fully galvanized, outside painted or</li> <li>• Stainless steel 316/316L, glass bead blasted or painted</li> <li>• Internal parts aluminium, no brass or copper or out of stainless steel</li> </ul>
----------------	---

## General specification

<b>Housing</b>	Ø 400 x 1.013 mm
<b>Pillar tube</b>	300 mm
<b>Dimensions</b>	1.073 x 465 x 1.350 mm (L x B x H)
<b>Inlet flange</b>	DN 100 PN 16 or 4" ANSI 150 lbs RF
<b>Exhaust</b>	3" pipe socket with IG, DN 65 PN 16 or 2 1/2 - 3" ANSI 150 lbs RF
<b>Weight</b>	ca. 125 kg
<b>Operation pressure</b>	max. -0,2 to 0 bar
<b>Operation tem.</b>	max. 60 °C



## Filter elements

<b>Glass fibre fleece with inorganic binder</b>	
<b>Type</b>	COMS-3000-XL-50
<b>Quantity</b>	9 off
<b>Separation degree</b>	99,98 % at 0,1 droplet size, Residual oil content < 0,1 mg/m <sup>3</sup> *

\* tested by the Institute of Energy and Environmental Technology e. V. (IUTA) in Duisburg in accordance with ISO 12500-1:2007e

## E-Motor

<b>Power</b>	3,0 kW
<b>Voltage</b>	230/400 V, 50 Hz
<b>IP rating</b>	IP 55

Available as "G"-series with foreign motor acc. specification

## Side channel blower

<b>Sound Pressure Level</b>	70 dB(A) at 50 Hz
<b>Flow rate</b>	340 Nm <sup>3</sup> /h at -60 mbar Δp 50 Hz 440 Nm <sup>3</sup> /h at -60 mbar Δp 60 Hz

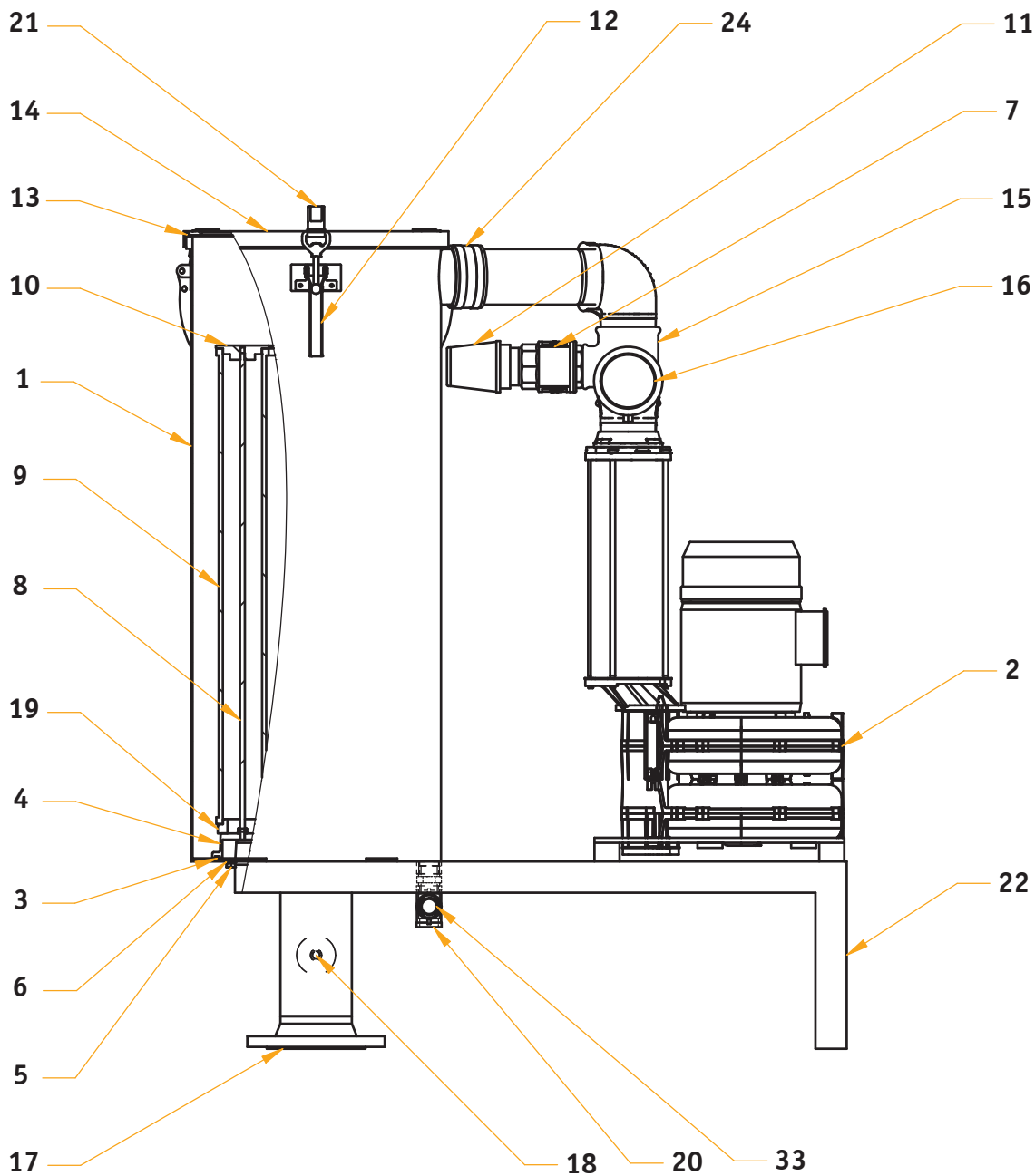
## Scope of supply

The CONTEC-Oil Mist Separator are supplied fully assembled and ready for installation including:

- One set of filter elements
- Negative pressure gauge
- Hand ball valve for negative pressure control
- Air suction filter
- Oil sight flow glass

## Options

- Ex/ATEX
- Redundant series (2 x 100 %)
- Integrated bypass
- Recirculator
- Series without motor/blower unit
- Adapter flange tube for inner oil return flow



## The installation

1. Housing	12. Catch	23. ---
2. Side channel blower	13. O-Ring	24. Compensator
3. O-Ring	14. Housing Cover	25. ---
4. Filter base	15. Inlet T-Piece	26. ---
5. Fastening Screw	16. Exhaust	27. ---
6. Seal	17. Pillar Tube with Flange	28. ---
7. Hand Valve	18. Negative Pressure Gauge	29. ---
8. Tie Rod	19. Filter Element Base	30. ---
9. Filter element	20. Oil Drain Connection	31. ---
10. Retaining Cap	21. Lifting Handle	32. ---
11. Air-Suction-Filter	22. Brac et	33. Oil drain sight glass