



Application

Contec COMS (Contec Oil Mist Separators) for the extraction and filtration of oil mist are used for large-scale compressors, gas and steam turbines, generators and other equipment with oil systems to ensure clean, oil-free exhaust air. 99.98% of solid and liquid particles and aerosols down to 0.1 micron are removed and high-quality oil can be regained. The COMS high-efficiency filter system prevent the emission of oil mist into the atmosphere and therefore guarantee oil-free technically absolutely clean exhaust air. Additionally due to the coalescing effect high-quality lubrication oil including all its additives is regained and recycled into the process.

Material

Housing	<ul style="list-style-type: none"> • Steel S235JR, fully galvanized, outside painted or • Stainless steel 316/316L, glass bead blasted or painted • Internal parts aluminium, no brass or copper or out of stainless steel
----------------	-------------------------------------------------------------------------------------------------------------------------------------------------------------------------------------------------------------------------------------------------------------

General specification

Housing	Ø 500 x 910 mm
Pillar tube	300 mm
Dimensions	1.200 x 532 x 1.250 mm (L x B x H)
Inlet flange	DN 100 PN 16 or 4" ANSI 150 lbs RF
Exhaust	3" pipe socket with IG, DN 80 PN 16 or 4" ANSI 150 lbs RF
Weight	ca. 260 kg
Operation pressure	max. -0,2 to 0 bar
Operation tem.	max. 60 °C

Filter elements

Glass fibre fleece with inorganic binder	
Type	COMS-4000-L-50
Quantity	18 off
Separation degree	99,98 % at 0,1 droplet size, Residual oil content < 0,1 mg/m ³ *

* tested by the Institute of Energy and Environmental Technology e. V. (IUTA) in Duisburg in accordance with ISO 12500-1:2007e

E-Motor

Power	3,0 kW
Voltage	230/400 V, 50 Hz
IP rating	IP 55

Available as "G"-series with foreign motor acc. specification

Side channel blower

Sound Pressure Level	77 dB(A) at 50 Hz
Flow rate	480 Nm ³ /h at -60 mbar Δp 50 Hz 600 Nm ³ /h at -60 mbar Δp 60 Hz



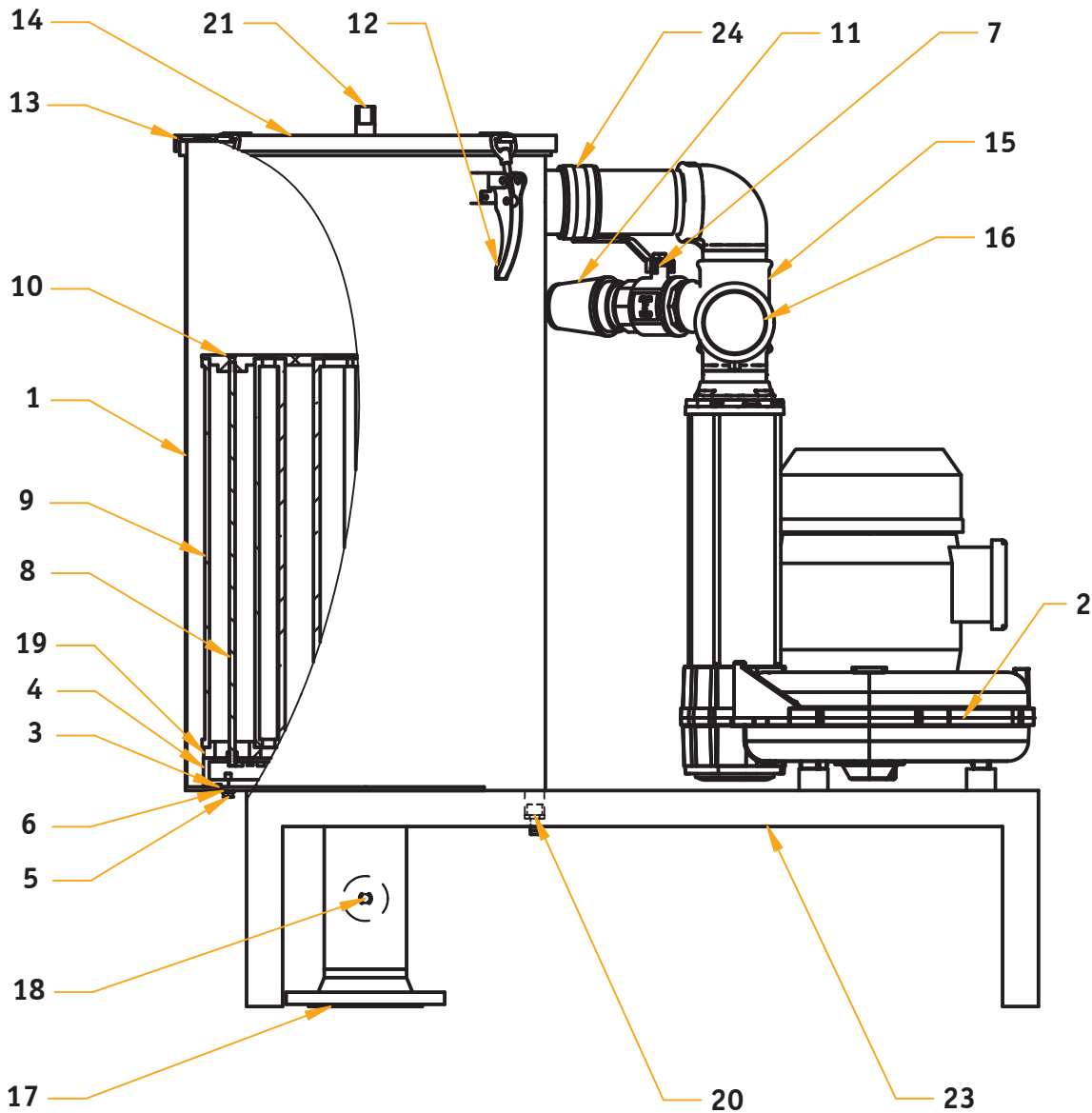
Scope of supply

The CONTEC-Oil Mist Separator are supplied fully assembled and ready for installation including:

- One set of filter elements
- Negative pressure gauge
- Hand ball valve for negative pressure control
- Air suction filter
- Oil sight flow glass

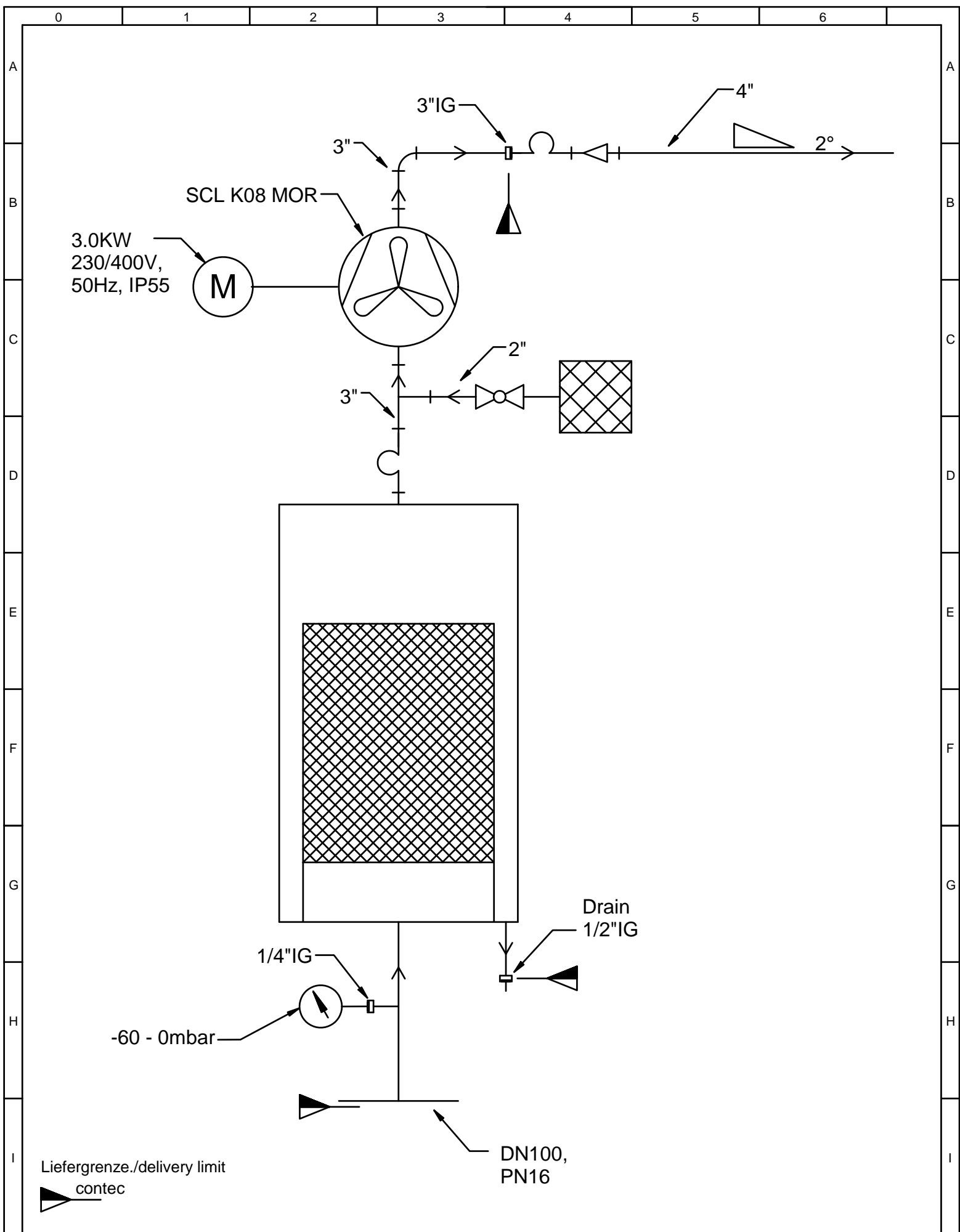
Options

- Ex/ATEX
- Redundant series (2 x 100 %)
- Integrated bypass
- Recirculator
- Series without motor/blower unit
- Adapter flange tube for inner oil return flow



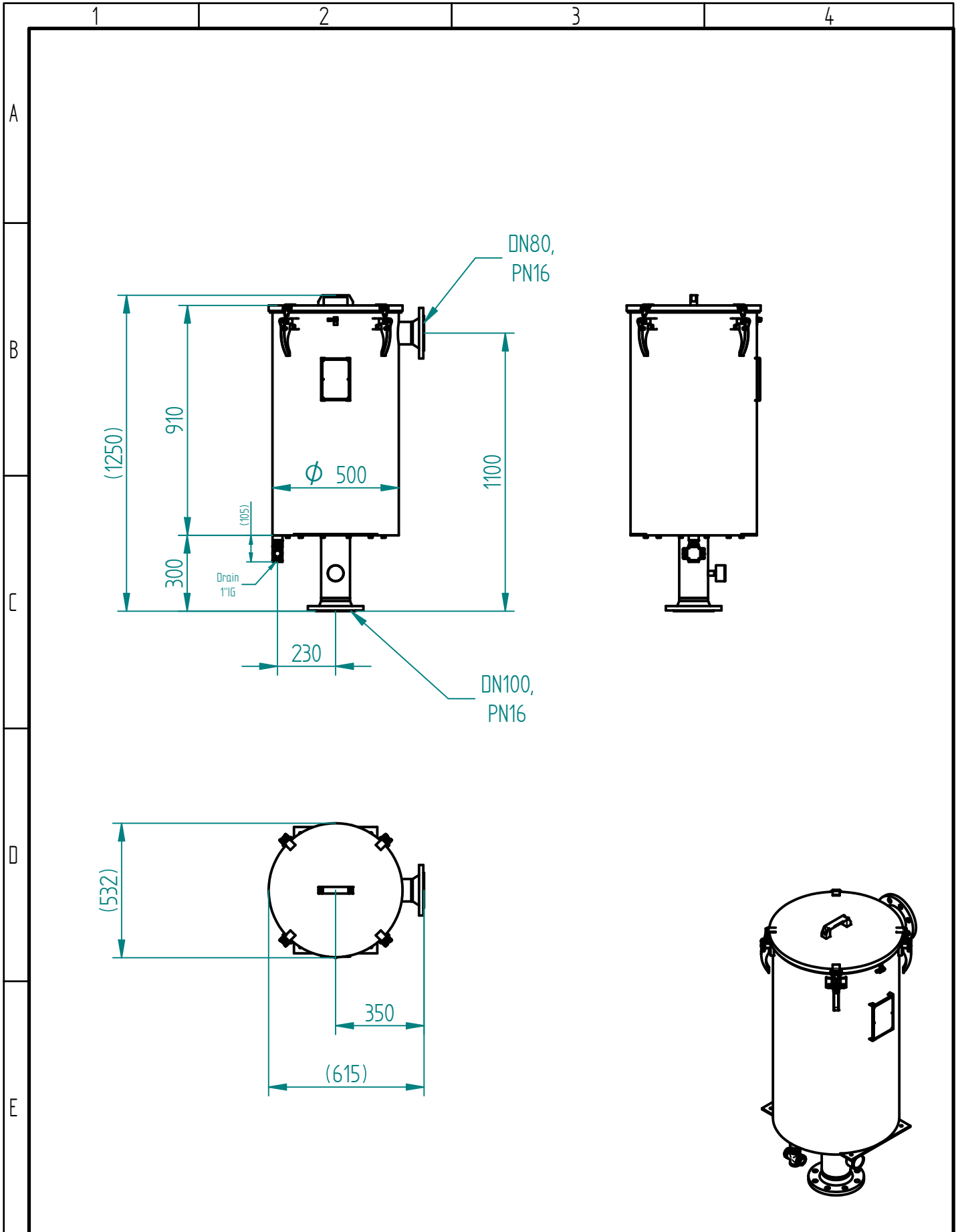
The installation

1. Housing	12. Catch	23. Base Frame
2. Side channel blower	13. O-Ring	24. Compensator
3. O-Ring	14. Housing Cover	25. ---
4. Filter base	15. Inlet T-Piece	26. ---
5. Fastening Screw	16. Exhaust	27. ---
6. Seal	17. Pillar Tube with Flange	28. ---
7. Hand Valve	18. Negative Pressure Gauge	29. ---
8. Tie Rod	19. Filter Element Base	30. ---
9. Filter element	20. Oil Drain Connection	31. ---
10. Retaining Cap	21. Lifting Handle	32. ---
11. Air-Suction-Filter	22. ---	33. Oil drain sight glass

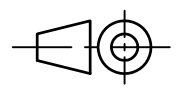


contec:
53604 BAD HONNEF

project /job no.:	desctipion:/Bezeichnung: 4000-630-M04		Index: -
date:/Datum: 25.04.2014 /DP	code word:/Anlage:	drawing no./Zeichnungsnr.:	page./Seite: 1



Oil mist separator / Ölnebelabscheider



Scale / Maßstab : 1:20

Revision	00	01	02	03
Date	11.06.2015			
Designed by	Pützstück			
Checked by				
Approved by				

Material / Werkstoff :

Description / Bezeichnung
4000-630-OG



Project code / Projekt Kennwort

Drawing/Job no. / Zeichnungs/Auftragsnr.

Sheet / Blatt: A4

1/1