



Application

Contec COMS (Contec Oil Mist Separators) for the extraction and filtration of oil mist are used for large-scale compressors, gas and steam turbines, generators and other equipment with oil systems to ensure clean, oil-free exhaust air. 99.98% of solid and liquid particles and aerosols down to 0.1 micron are removed and high-quality oil can be regained. The COMS high-efficiency filter system prevent the emission of oil mist into the atmosphere and therefore guarantee oil-free technically absolutely clean exhaust air. Additionally due to the coalescing effect high-quality lubrication oil including all its additives is regained and recycled into the process.

Material

Housing	<ul style="list-style-type: none"> • Steel S235JR, fully galvanized, outside painted or • Stainless steel 316/316L, glass bead blasted or painted • Internal parts aluminium, no brass or copper or out of stainless steel
----------------	---

General specification

Housing	Ø 400 x 763 mm
Pillar tube	300 mm
Total height	ca. 1.411 mm
Inlet flange	DN 100 PN 16 or 4" ANSI 150 lbs RF
Exhaust	1 1/2" pipe socket with IG, DN 40 PN 16 or 1 1/2" ANSI 150 lbs RF
Weight	ca. 70 kg
Operation pressure	max. -0,2 to 0 bar
Operation tem.	max. 60 °C

Filter elements

Glass fibre fleece with inorganic binder

Type	COMS-550-S-50
Quantity	9 off
Separation degree	99,98 % at 0,1 droplet size, Residual oil content < 0,1 mg/m ³ *

* tested by the Institute of Energy and Environmental Technology e. V. (IUTA) in Duisburg in accordance with ISO 12500-1:2007e

E-Motor

Power	0,75 kW
Voltage	230/400 V, 50 Hz
IP rating	IP 55

Available as "G"-series with foreign motor acc. specification

Side channel blower

Sound Pressure Level	64 dB(A) at 50 Hz
Flow rate	110 Nm ³ /h at -60 mbar Δp 50 Hz 140 Nm ³ /h at -60 mbar Δp 60 Hz



Scope of supply

The CONTEC-Oil Mist Separator are supplied fully assembled and ready for installation including:

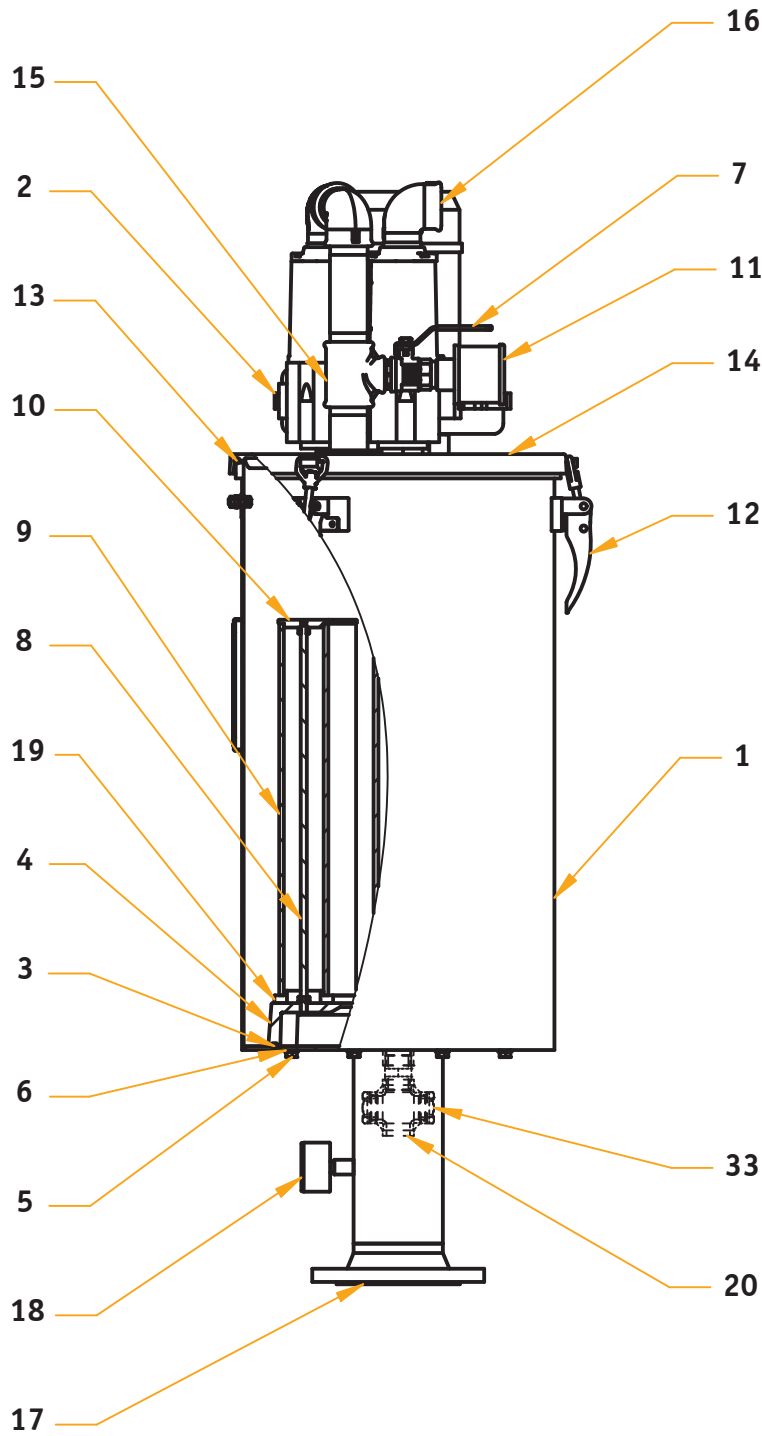
- One set of filter elements
- Negative pressure gauge
- Hand ball valve for negative pressure control
- Air suction filter
- Oil sight flow glass

Options

- Ex/ATEX
- Redundant series (2 x 100 %)
- Integrated bypass
- Recirculator
- Series without motor/blower unit
- Adapter flange tube for inner oil return flow



Oil Mist Separator type 550/980



The installation

1. Housing
2. Side channel blower
3. O-Ring
4. Filter base
5. Fastening Screw
6. Seal
7. Hand Valve
8. Tie Rod
9. Filter element
10. Retaining Cap
11. Air-Suction-Filter
12. Catch
13. O-Ring
14. Housing Cover
15. Inlet T-Piece
16. Exhaust
17. Pillar Tube with Flange
18. Negative Pressure Gauge
19. Filter Element Base
20. Oil Drain Connection
21. ---
22. ---
23. ---
24. ---
25. ---
26. ---
27. ---
28. ---
29. ---
30. ---
31. ---
32. ---
33. Oil drain sight glass