



## Application

Contec COMS (Contec Oil Mist Separators) for the extraction and filtration of oil mist are used for large-scale compressors, gas and steam turbines, generators and other equipment with oil systems to ensure clean, oil-free exhaust air. 99.98% of solid and liquid particles and aerosols down to 0.1 micron are removed and high-quality oil can be regained. The COMS high-efficiency filter system prevent the emission of oil mist into the atmosphere and therefore guarantee oil-free technically absolutely clean exhaust air. Additionally due to the coalescing effect high-quality lubrication oil including all its additives is regained and recycled into the process.

## Material

<b>Housing</b>	<ul style="list-style-type: none"> <li>• Steel S235JR, fully galvanized, outside painted or</li> <li>• Stainless steel 316/316L, glass bead blasted or painted</li> <li>• Internal parts aluminium, no brass or copper or out of stainless steel</li> </ul>
----------------	---

## General specification

<b>Housing</b>	Ø 680 x 1.460 mm
<b>Pillar tube</b>	150 mm
<b>Dimensions</b>	1.460 x 700 x 2.110 mm (L x B x H)
<b>Inlet flange</b>	DN 150 PN 16 or 4" ANSI 150 lbs RF
<b>Exhaust</b>	5" pipe socket with IG, DN 100 PN 16 or 3" ANSI 150 lbs RF
<b>Weight</b>	ca. 280 kg
<b>Operation pressure</b>	max. -0,2 to 0 bar
<b>Operation tem.</b>	max. 60 °C



## Filter elements

<b>Glass fibre fleece with inorganic binder</b>	
<b>Type</b>	COMS-9200-XL-50
<b>Quantity</b>	30 off
<b>Separation degree</b>	99,98 % at 0,1 droplet size, Residual oil content < 0,1 mg/m <sup>3</sup> *

\* tested by the Institute of Energy and Environmental Technology e. V. (IUTA) in Duisburg in accordance with ISO 12500-1:2007e

## E-Motor

<b>Power</b>	11 kW
<b>Voltage</b>	400/690 V, 50 Hz
<b>IP rating</b>	IP 55

Available as "G"-series with foreign motor acc. specification

## Side channel blower

<b>Sound Pressure Level</b>	81 dB(A) at 50 Hz
<b>Flow rate</b>	1.200 Nm <sup>3</sup> /h at -60 mbar Δp 50 Hz 1.500 Nm <sup>3</sup> /h at -60 mbar Δp 60 Hz

## Scope of supply

The CONTEC-Oil Mist Separator are supplied fully assembled and ready for installation including:

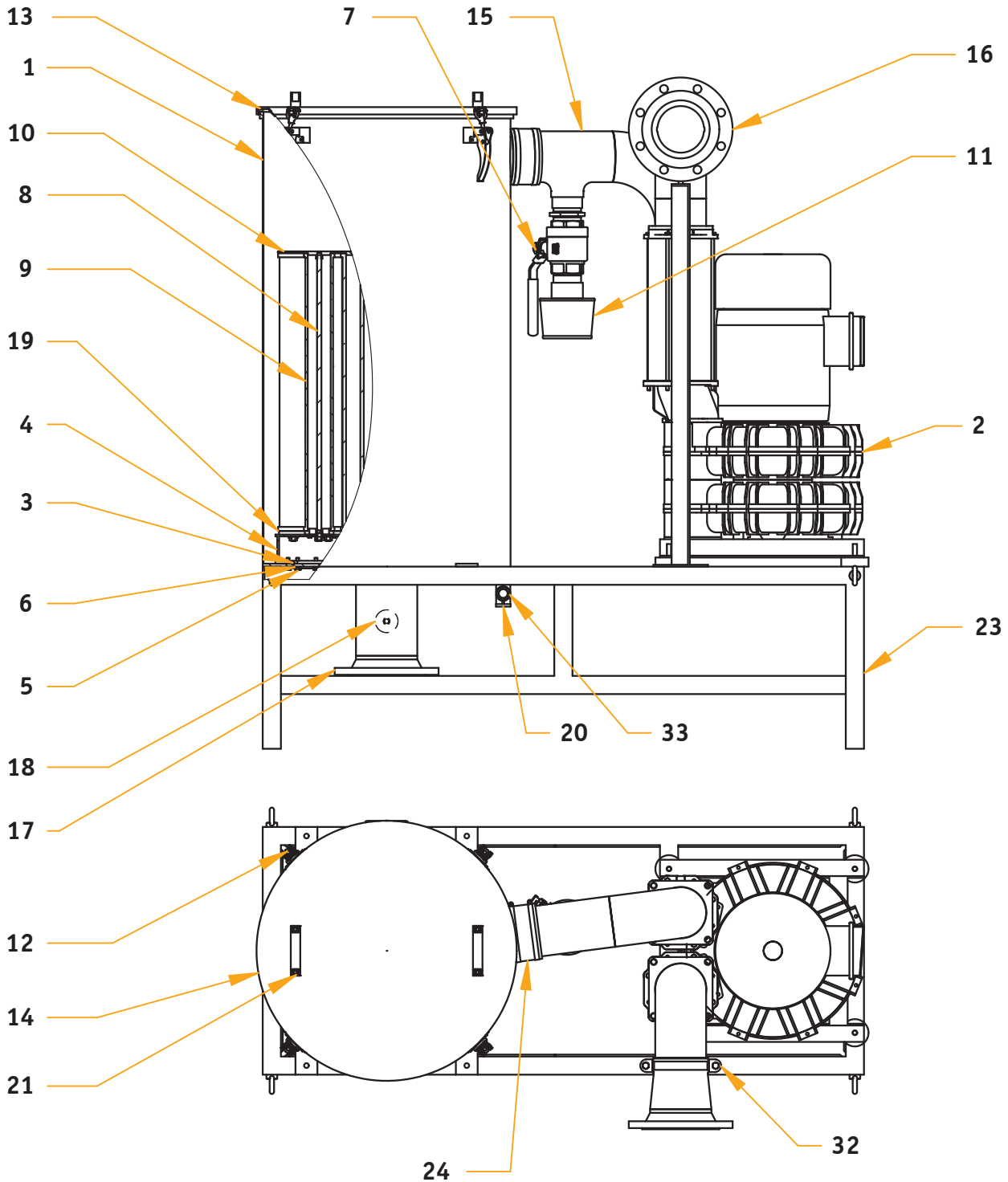
- One set of filter elements
- Negative pressure gauge
- Hand ball valve for negative pressure control
- Air suction filter
- Oil sight flow glass

## Options

- Ex/ATEX
- Redundant series (2 x 100 %)
- Integrated bypass
- Recirculator
- Series without motor/blower unit
- Adapter flange tube for inner oil return flow



# Oil Mist Separator type 9200/762



## The installation

- |                        |                             |                           |
|------------------------|-----------------------------|---------------------------|
| 1. Housing             | 12. Catch                   | 23. Base Frame            |
| 2. Side channel blower | 13. O-Ring                  | 24. Compensator           |
| 3. O-Ring              | 14. Housing Cover           | 25. ---                   |
| 4. Filter base         | 15. Inlet T-Piece           | 26. ---                   |
| 5. Fastening Screw     | 16. Exhaust                 | 27. ---                   |
| 6. Seal                | 17. Pillar Tube with Flange | 28. ---                   |
| 7. Hand Valve          | 18. Negative Pressure Gauge | 29. ---                   |
| 8. Tie Rod             | 19. Filter Element Base     | 30. ---                   |
| 9. Filter element      | 20. Oil Drain Connection    | 31. ---                   |
| 10. Retaining Cap      | 21. Lifting Handle          | 32. Pipe Clamps           |
| 11. Air-Suction-Filter | 22. ---                     | 33. Oil drain sight glass |

1 2 3 4

A

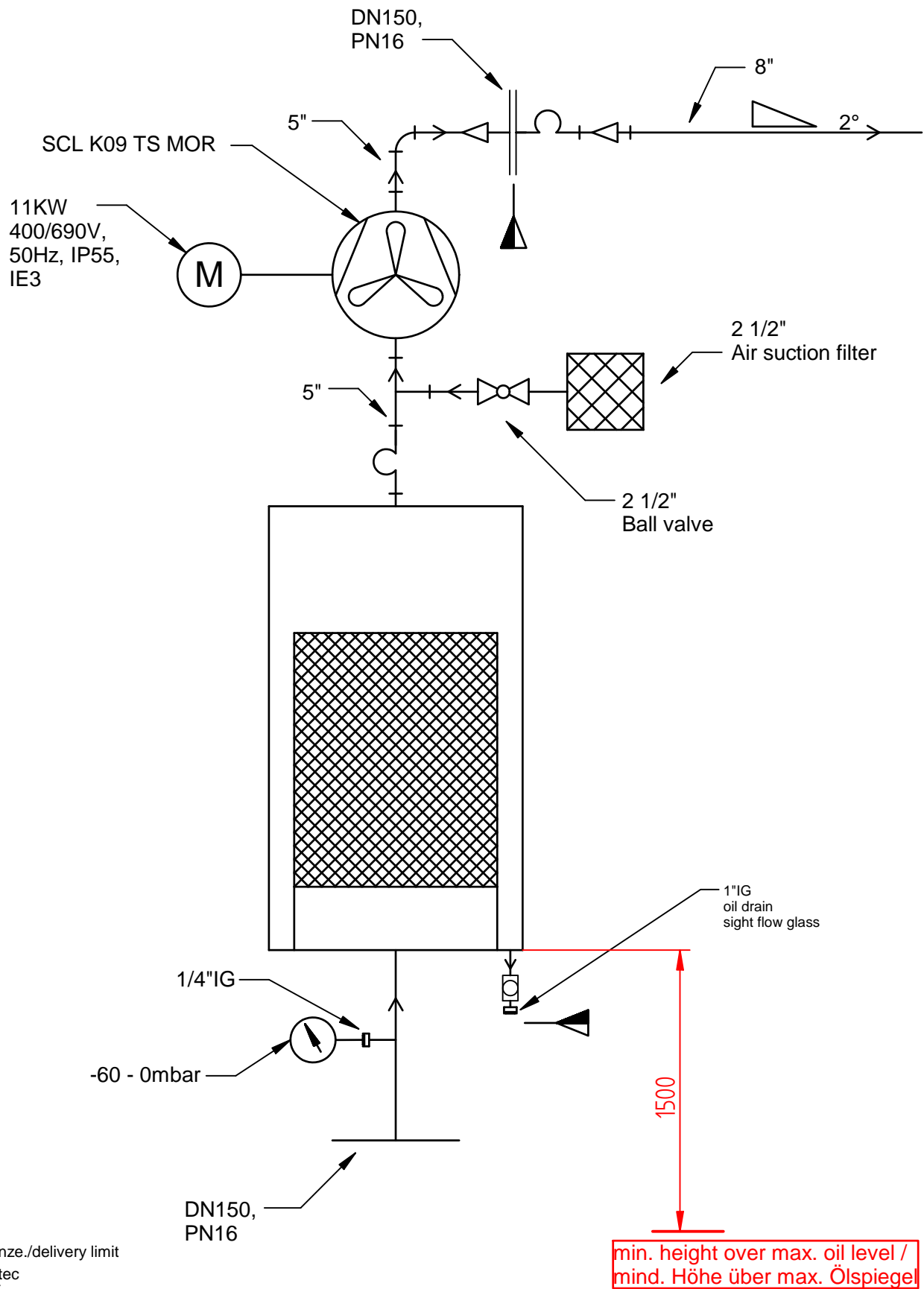
B

C

D

E

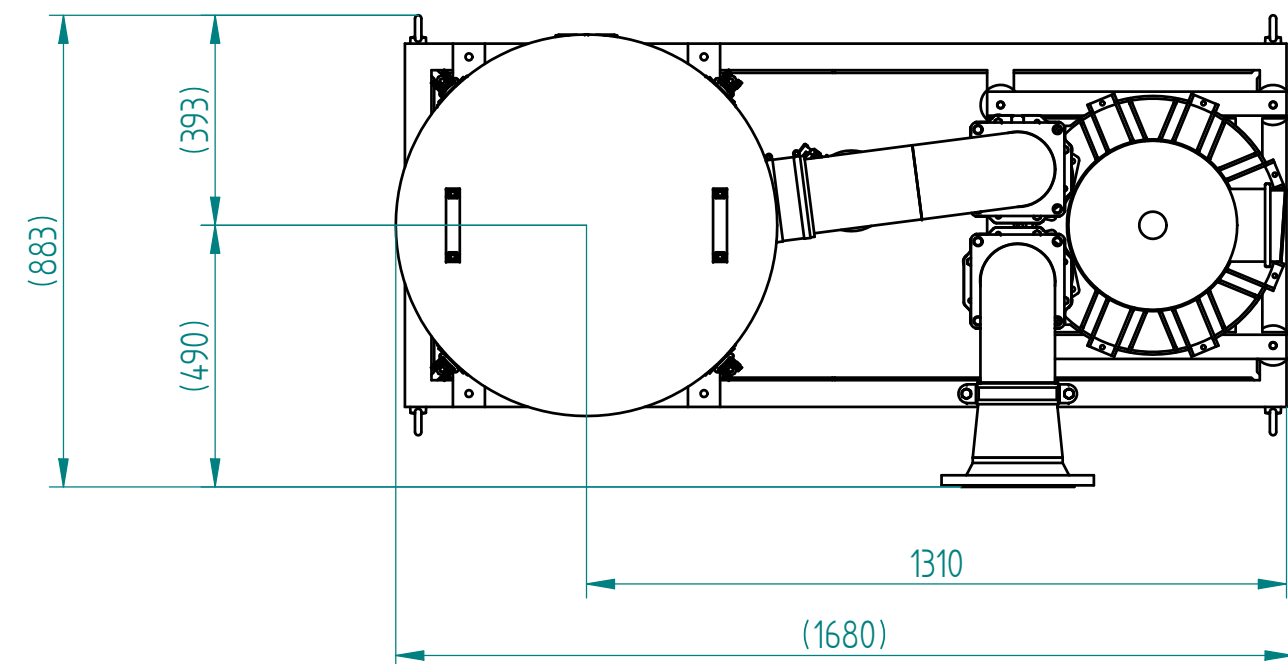
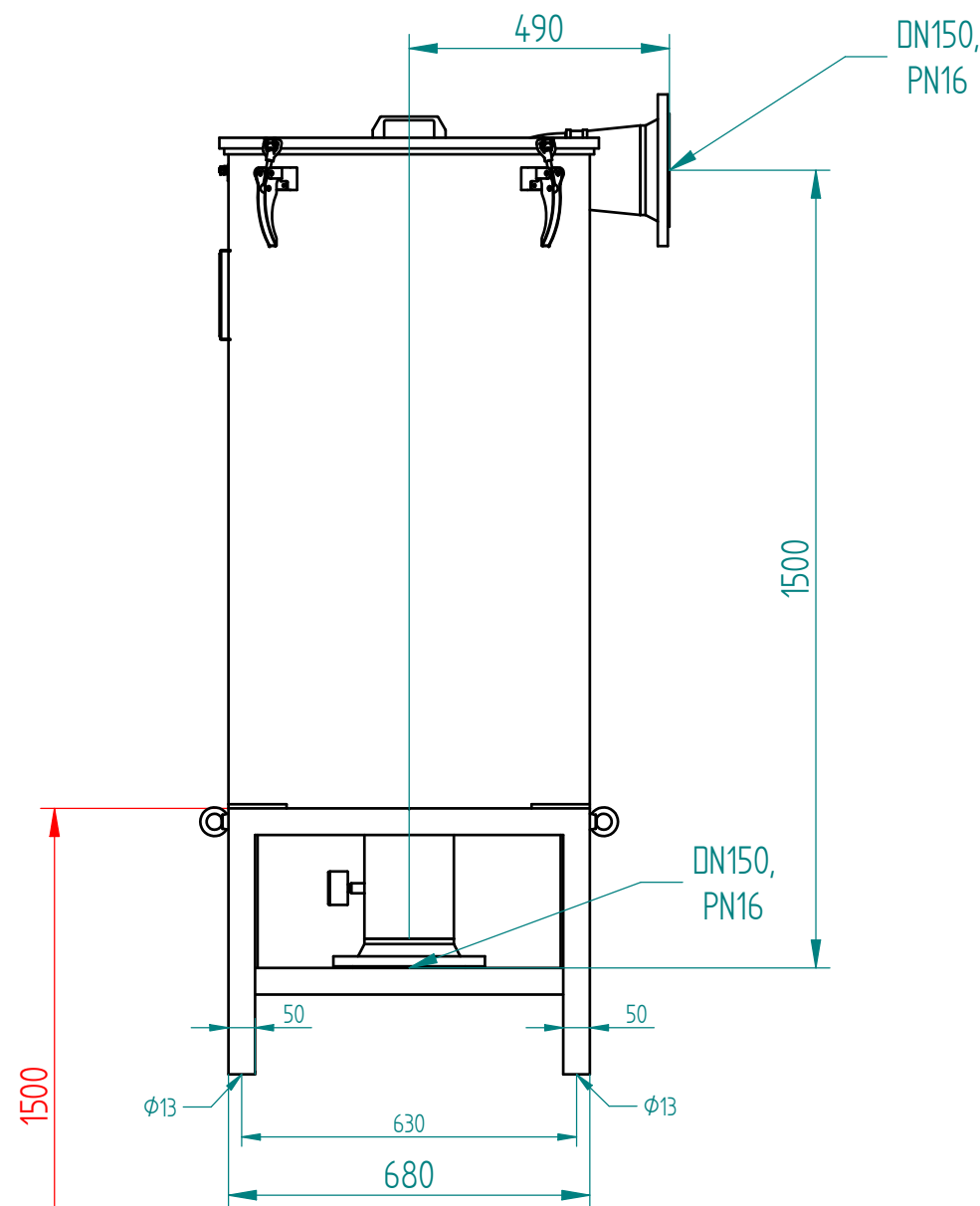
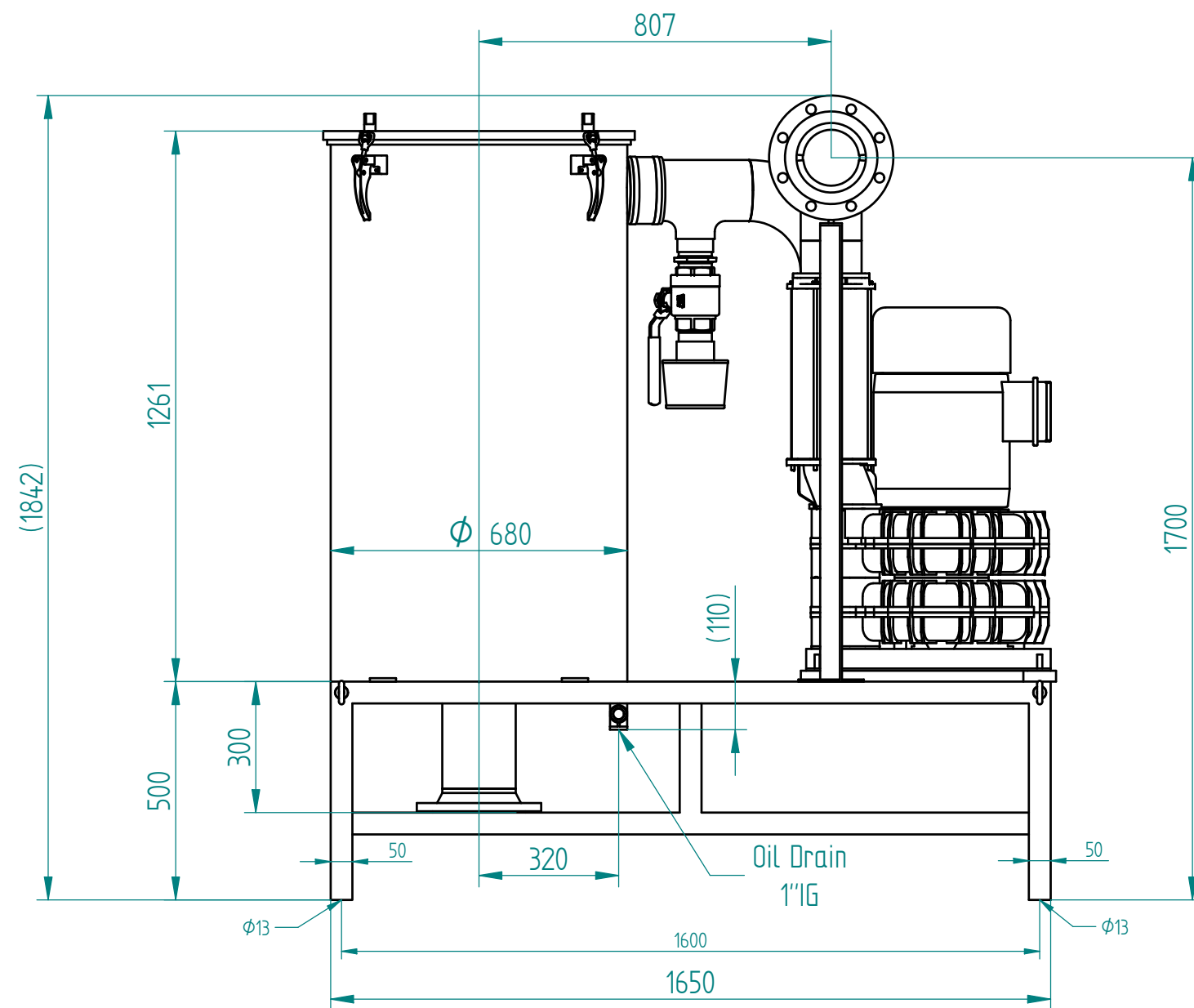
F



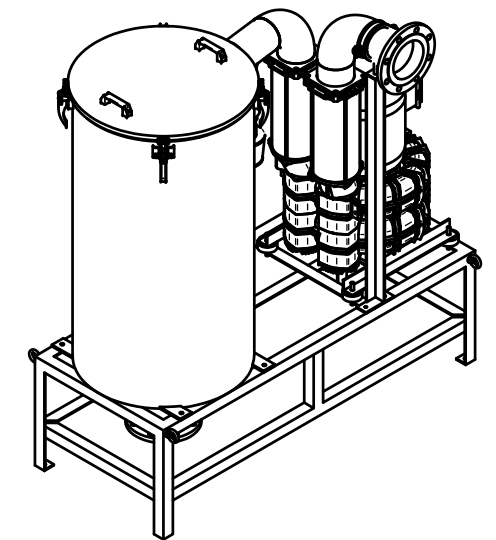
Liefergrenze./delivery limit  
contec

min. height over max. oil level /  
mind. Höhe über max. Ölspiegel

<p>Refer to protection notice ISO 16016 / Schutzvermerk nach ISO 16016 beachten</p> <p>The reproduction, distribution and utilization of this document as well as the communication of its contents to others without express authorization is prohibited. Offenders will be held liable for the payment of damages. All rights reserved in the event of the grant of a patent, utility model or design.</p> <p>Weitergabe sowie Vervielfältigung dieses Dokuments, Verwertung und Mitteilung seines Inhalts sind verboten, soweit nicht ausdrücklich gestattet. Zuwiderhandlungen verpflichten zu Schadenersatz. Alle Rechte für den Fall der Patent-, Gebrauchsmuster- oder Designeintragung vorbehalten.</p> <p>Contec GmbH Industrieausrüstungen Heideweg 24, 53604 Bad Honnef / Germany www.contec-filtration.de</p>	Oil mist separator / Ölnebelabscheider					Scale / Maßstab : 1:1
	Revision	00	01	02		03
	Date	06.07.2020				Description / Bezeichnung 9200-762-M04
	Designed by	Pützstück				
	Checked by					
Approved by					Drawing/Job no. / Zeichnungs/Auftragsnr.	Sheet / Blatt: A4
 clean solutions on demand®		Project code / Projekt Kennwort		Drawing/Job no. / Zeichnungs/Auftragsnr.		2/10



min. height over max. oil level /  
mind. Höhe über max. Ölspiegel



Refer to production notice 150 16016 / Schutzvermerk nach ISO 16016 beachten  The reproduction, distribution and utilization of this document as well as the communication of its contents to others without express authorization is prohibited. Offenders will be held liable for the payment of damages. All rights reserved in the event of the grant of a patent, utility model or design.  Weitergabe sowie Vervielfältigung dieses Dokuments, Verbreitung und Mitteilung seines Inhalts sind verboten, soweit nicht ausdrücklich gestattet. Zuwiderhandlungen verpflichten zu Schadensersatz. Alle Rechte für den Fall der Patent-, Gebrauchsmuster- oder Designrechtsverletzung vorbehalten.  contec GmbH Industrietechnik Holtweg 24, 53858 Bad Honnef / Germany www.contec-filtration.de	<b>Oil mist separator / Ölnelabscheider</b>				Scale / Maßstab : 1:10 Material / Werkstoff :	
	Revision	00	01	02	03	Description / Bezeichnung <b>9200-762-M04</b>  Drawing/Job no. / Zeichnungs/Auftragsnr.
	Date	06.07.2020				
	Designed by	Pützstück				
	Checked by					
Approved by					Sheet / Blatt A2 <b>1/10</b>	
<b>contec:</b> clean solutions on demand®		Project code / Projekt Kennwort		Drawing/Job no. / Zeichnungs/Auftragsnr.		