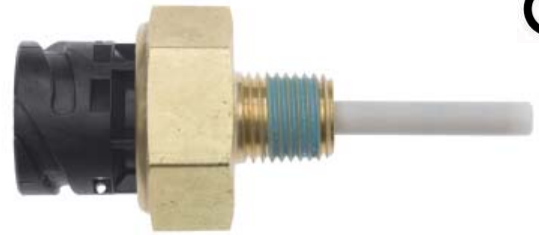


S81 capacitive liquid level switch

The **Model S81** is an active device which is designed to give an alarm signal if fluid falls below a preset level. It will only signal an alarm after a few seconds of low level to eliminate false alarms due to turbulence. The fact that the **Model S81** has no moving parts and incorporates a built in delay means it is ideal in applications where mechanically operated switches mis-trigger due to vibration and fluid turbulence.



Specification

Electrical Rating

Supply Voltage: 5 VDC or 7 - 35 VDC
 Supply Current: 1.5mA + source output
 Max. Load Current: 1.0A (sink) or 20mA (source)
 Alarm Delay Time: 0 - 25 secs rising or falling (factory set)
 Connection: 4 way DIN 72 585 connector
 Start up Delay: 1 - 10 secs

Fluid Types

Water based fluids compatible with Brass, PTFE and NBR rubber

Environmental Ratings

Sealing: IP67
 Max. pressure: 5.0 Bar (72 psi)
 Temp. ranges: Fluid: -40°C to +130°C
 Storage: -50°C to +140°C
 Weight: 53g
 EMC: Type approval to EN ISO 13766:2006

Note: Torque setting on installation should not exceed 22Nm. Unit should be tightened with a 31mm ring spanner or 31mm socket.

Construction

Body: Brass
 Probe: PTFE
 Terminals: CZ121 Brass, Tin Plated
 Seals: NBR rubber
 Connector: 30% Glass Filled Nylon 6
 Thread: Polyacrylate Aqueous Emulsion Base (Dri-sealant 5061 on 1/4" NPT only)

Connections

See diagram below

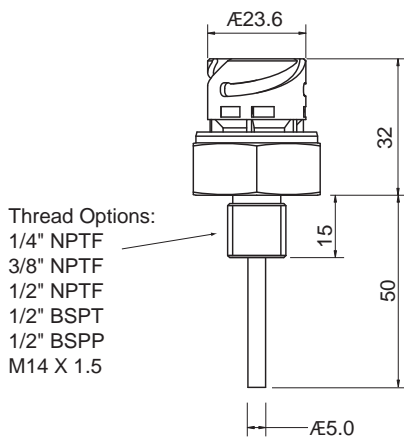
Note: Outputs are factory selectable and dual outputs on output 1 are available on request..

Vibration (15.3 grms)

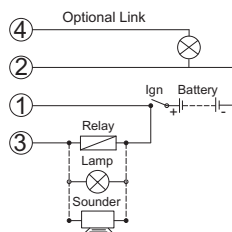
3 orthoganol planes for 3 hours per plane

Frequency (Hz)	G2/Hz
24	0.04
60	0.5
100	0.5
240	0.1
2000	0.1

Testing performed in accordance with BSEN 60068-2-64 : 1993



- 4: Output 2 Source 5V or V+
- 2: GND Negative power supply or GND
- 1: V+ Positive power supply
- 3: Output 1 Transistor switched to GND (Sink)
Body Not connected



Optional accessory:

Mating connector kit to suit harness wire cross sectional area of 0.5 to 1.5mm² :

Our Part no Description

C/K2 Connector kit comprising of:
 Crimp Terminals (x4)
 Cable seals (x4)
 Connector plug 4 way (x1)