

## T/LL350 series fuel level sensor

The **Model T/LL350** series is a range of highly advanced sensors for continuously measuring the contents of a fuel tank. The unique feature of the T/LL350 is that it recalibrates itself when a liquid with a different dielectric constant is used. For example, if it is used in a tank of conventional diesel, then the user can refill with bio-diesel and the sensor will correct the output level automatically.

A low level alarm switches when the fuel drops below a predetermined level (default is 1/8<sup>th</sup> of the tank), but the alarm point can be optionally specified anywhere between 0-100%.



### Specification

#### Dimensions:

**Probe length:** Min 200mm, Max 2000mm (Min 7.9", Max 78.7")  
 Note: the probe length should be determined to leave min. 25mm of space from the end of the probe to the base of the tank.

#### Electrical:

**Supply voltage:** 8-32 VDC with 80V over voltage protection  
**Connections:** 500mm long flying leads which can be optionally fitted with any specified receptacle. Misconnection protection is provided.

**Supply current:** 15mA@12Vdc + output load  
**Accuracy:** ±2.0% of depth @ 20°C (+68°F)

#### Outputs:

**Resistive:** Any values between 2-500Ω or 500-2Ω.  
**Voltage:** Any values between 0-10V or 10-0V.  
**Alarm:** Switch to ground at 1/8 tank depth - max load 100mA - optionally adjustable between empty and full.

**Current:** 0-20mA, 4-20mA

#### Construction:

**Housing:** Die cast aluminium  
**Sensor tube:** Anodised aluminium  
**Internal insulators:** PTFE  
**Internal sensor:** Aluminium  
**Wetted seals:** PTFE & Nitrile

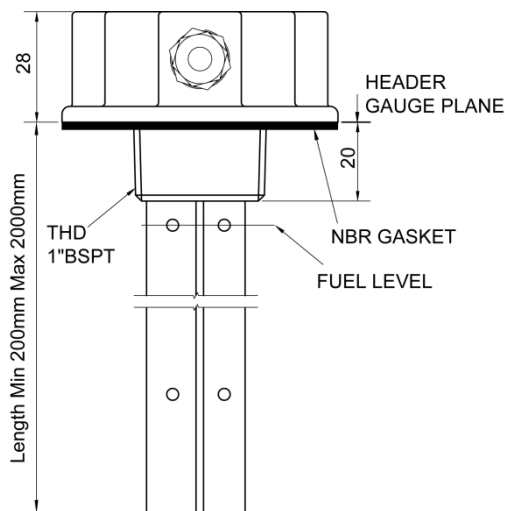
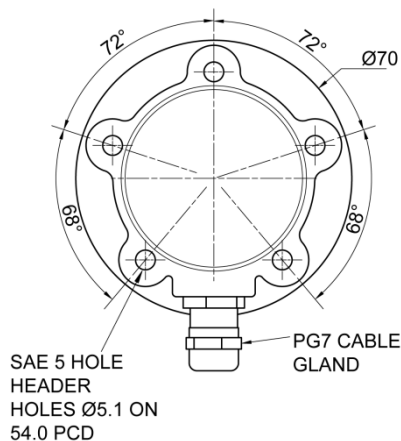
#### Fluid Types:

Diesel, biodiesel, kerosene, petrol, water or any liquid which is compatible with the materials of construction.

#### Environmental Ratings:

**Temperature - operating:** -20°C to +85°C (-4°F to +185°F)  
**- storage:** -40°C to +105°C (-40°F to +221°F)  
**Max tank pressure:** 10 psi (0.75 bar)  
**Vibration:** BS EN 60068-2-64:1993 (15.3grms)

**Sealing:** IP67  
**Shock:** 50g 6.3ms  
**Weight:** 300g (10 oz) (1M long unit)  
**EMC:** Type approval in accordance with EN ISO 13766:2006



Model	Output
T/LL350	Resistive
T/LL351	Voltage
T/LL352	PWM